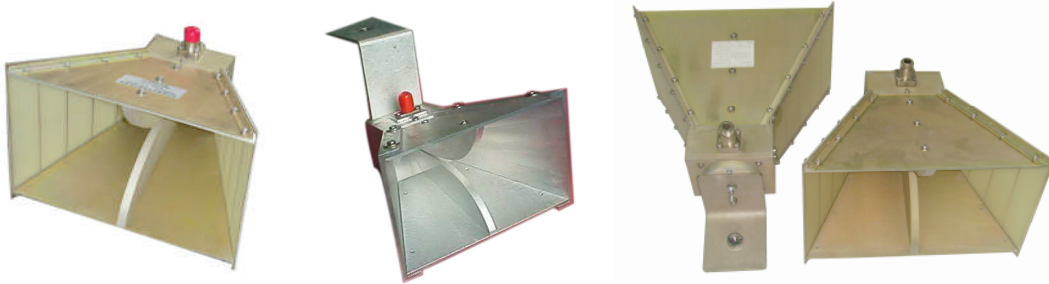
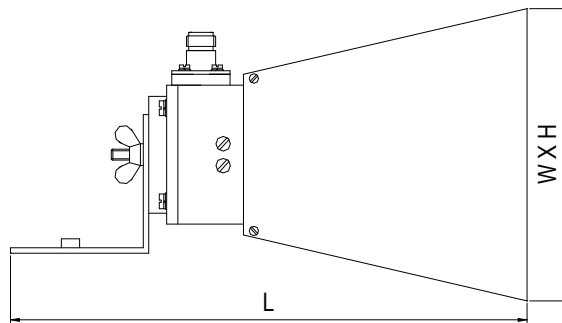




## 18 Wideband Horn Antenna



HengDa Microwave manufactures a high quality line of dual-ridged horn antennas typically used for EMI testing, surveillance equipment, antenna gain and pattern measurement. Wideband dual-ridged horn antennas are linearly polarized with high Gain, low VSWR, lightweight, covering from 0.2GHz to 40GHz. Please contact us with your specification and discuss your needs with one of our sales engineers.



### 【Specifications】

Model No	Freq Range (GHz)	Gain (dB)	3dB Beamwidth		VSWR (Max)	Dimensions (mm)			Input Coax Connector Type
			E-Plane	H-Plane		L	W	H	
HD-10180DRHA10S...	1.0-18.0	8.2-14.6	30°-77°	23°-60°	2.5	284	160	245	SMA
HD-10180DRHA10N...	1.0-18.0	8.2-14.6	30°-77°	23°-60°	2.5	284	160	245	Type N
HD-80180DRHA10N...	8.0-18.0	10-12	21°-34°	21°-44°	2.5	114.5	63	53	Type N
HD-80180DRHA10S...	8.0-18.0	10-12	21°-34°	21°-44°	2.5	114.5	63	53	SMA
HD-180400DRHA15K...	18.0 - 40.0	9-15.6	17°-44°	18°-33°	2.5	100	42	57	K2.4mm

*\*Indicates Model Number. See Ordering Information for complete part number.*

### 【Ordering Information】



## Xi'an HengDa Microwave Technology Development Company

---

**Example Part No:** HD- 10180 DRHA 10 N K

HengDa Microwave

Freq Rang: 1-18GHz

Product Type: Dual-Ridged Horn Antenna

J=Male, K=Female

Coax Connector Type: N=Type N, S=SMA, 2.92=K2.92mm

Gain : 10dB (Avg)

- Flange type: Multiple types available - see HengDa Microwave Flanges page
- Finish: Corrosion protection plus black top coat